

This document contains information proprietary to Magnum Fitness Systems. It is submitted in confidence and is to be used solely for the purpose for which it is furnished. This document and such information is not to be reproduced, transmitted, or used in whole or part without written authorization.

TOLERANCES: +0.000"
- 1/16"

MAGNUM FITNESS SYSTEMS

2201 12th. Avenue
S. Milwaukee, WI, 53172

UNLESS OTHERWISE SPECIFIED
DIMENSIONS ARE IN INCHES.

TITLE: C821 v 1.0
Lat Pulldown

DRAWN BY:
J. Wenzel

DATE:
07/02/04

PART NO.
XXX-XXX

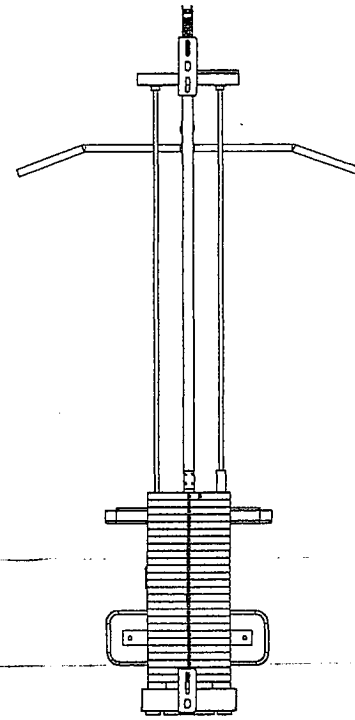
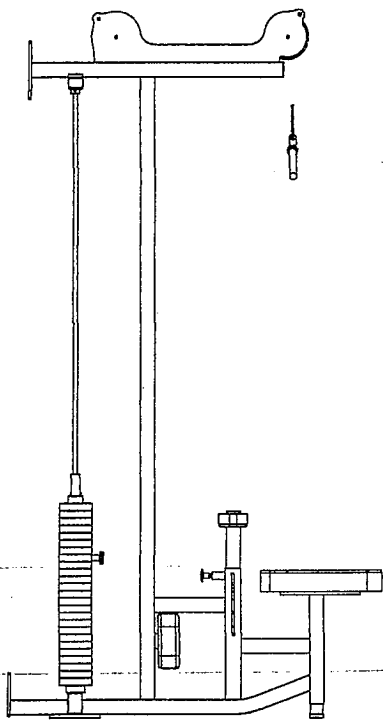
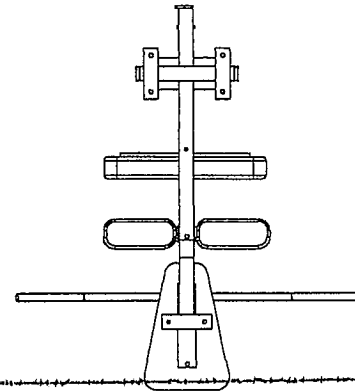
JOB NO.
XXXXXXXX

REV:
1

FILE LOCATION: C:\Cad Drawings\Solid Works\

1 OF 2

ITEM NO.	QTY.	PART NO.	DESCRIPTION
1	1	100-493	MAIN FRAME
2	1	100-494	FOOT
3	1	900-038	SEAT PAD
5	1	900-060	SHIN PAD
6	25	807-000	12 LB. STEEL WEIGHT PLATE
7	2	838-211	ROUND WEIGHT STACK BUMPER
8	1	100-293	CENTER STICK - 26 HOLE
9	1	805-408	HARD CHROME 48" LAT BAR
10	1	100-539	TOP WEIGHT PLATE
11	2	200-213	5/8" CRR - 87"
12	1	339-701	KNEE BRACE
13	1	400-099	1 1/2" X 2" TUBE - 14"
14	1	339-714	1/2" X 1 1/2" F.S. - 2 1/4"
15	2	853-313	6" CABLE PULLEY w/ NARROW BUSHING
16	2	850-006	2" X 3" END CAP
17	1	850-004	2" X 2" END CAP
18	2	850-402	1-1/8" BLACK SPAGER
19	1	853-906	3/8" SAFETY CLIP
20	2	852-610	5/8" SET COLLAR
21	1	852-007	SELECTOR PIN w/ 6 1/2" CORD
22	2	850-010	1 1/2" X 2" END CAP
23	2	858-005	5/8" RUBBER GROMMET
24	1	640-002	SPRING PIN ASSEMBLY
25	2	900-061	KNEE PAD



This document contains information proprietary to Magnum Fitness Systems. It is submitted in confidence and is to be used solely for the purpose for which it is furnished. This document and such information is not to be reproduced, transmitted, or used in whole or part without written authorization.

TOLERANCES: + 0.000"
- 1/16"

MAGNUM FITNESS SYSTEMS

2201 12th. Avenue
S. Milwaukee, WI, 53172

TITLE: C821 v 1.0
Lat Pulldown

UNLESS OTHERWISE SPECIFIED
DIMENSIONS ARE IN INCHES.

DRAWN BY:
J. Wenzel

DATE:
07/02/04

PART NO.
XXX-XXX

JOB NO.
XXXXXXXX

REV:
1

FILE LOCATION: C:\Cad Drawings\Solid Works\

2 OF 2